



US00D429333S

United States Patent [19]

[11] Patent Number: **Des. 429,333**

Sanders et al.

[45] Date of Patent: **** Aug. 8, 2000**

[54] **COMBINED MEDICAL TESTING DEVICE AND CHARGING UNIT**

5,860,421 1/1999 Eppstein et al. 600/442
5,924,981 7/1999 Rothfritz et al. 600/306

[75] Inventors: **Walter Richard Sanders**, Duluth;
George R. Downie, Jr., Tucker;
Edward Lindsay Kimbrell, Buford;
Joseph Suarez, Tucker; **Glenn Steven Arche**, Duluth, all of Ga.

Primary Examiner—Ian Simmons
Attorney, Agent, or Firm—Fleshner & Kim, LLP

[57] CLAIM

The ornamental design for a combined medical testing device and charging unit, as shown and described.

[73] Assignee: **SpectRx, Inc.**, Norcross, Ga.

DESCRIPTION

[**] Term: **14 Years**

FIG. 1 is a front view of a combined medical testing device showing our new design;
FIG. 2 is a rear view thereof;
FIG. 3 is a left side view thereof, the right side view being a mirror image;
FIG. 4 is a top view thereof;
FIG. 5 is a bottom view thereof;
FIG. 6 is a perspective view thereof;
FIG. 7 is a front view of a charging unit showing our new design;
FIG. 8 is a top view thereof;
FIG. 9 is a rear view thereof;
FIG. 10 is a bottom view thereof; and
FIG. 11 is a right side view thereof, the left side being a mirror image; and,
FIG. 12 is an exploded side view showing the medical testing device and the charging unit together.

[21] Appl. No.: **29/085,679**

[22] Filed: **Mar. 27, 1998**

[51] **LOC (7) Cl.** **24-02**

[52] **U.S. Cl.** **D24/137**

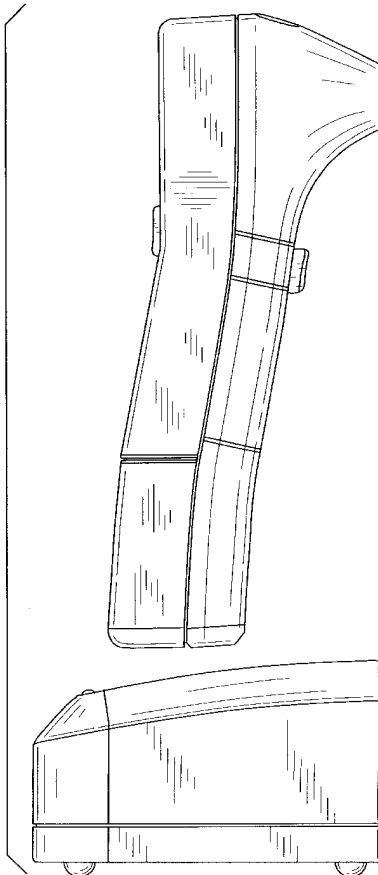
[58] **Field of Search** D24/137, 151,
D24/173; D13/107, 108; 600/306, 309,
310, 437, 315, 442, 472, 474, 476, 443

[56] References Cited

U.S. PATENT DOCUMENTS

D. 350,540	9/1994	Hyvonen	D14/149
D. 377,393	1/1997	Sams	D24/137
D. 402,258	12/1998	Kawakami	D13/107
D. 408,914	4/1999	Kimball et al.	D24/151
5,792,049	8/1998	Eppstein et al.	600/306

1 Claim, 8 Drawing Sheets



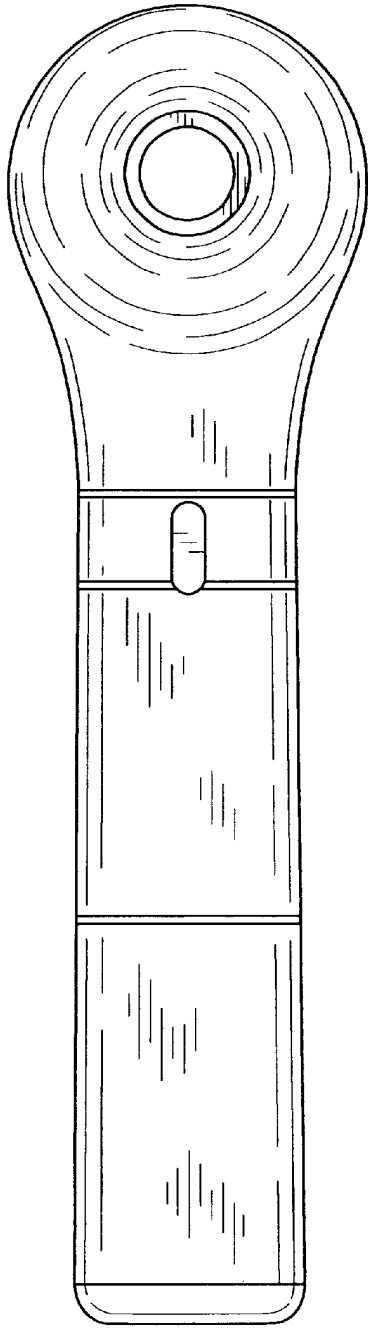


FIG. 1

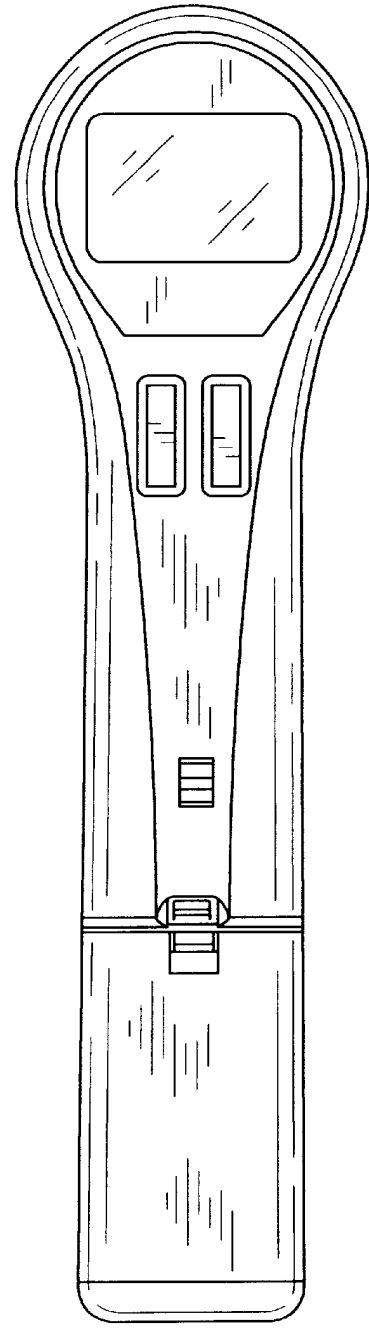


FIG. 2

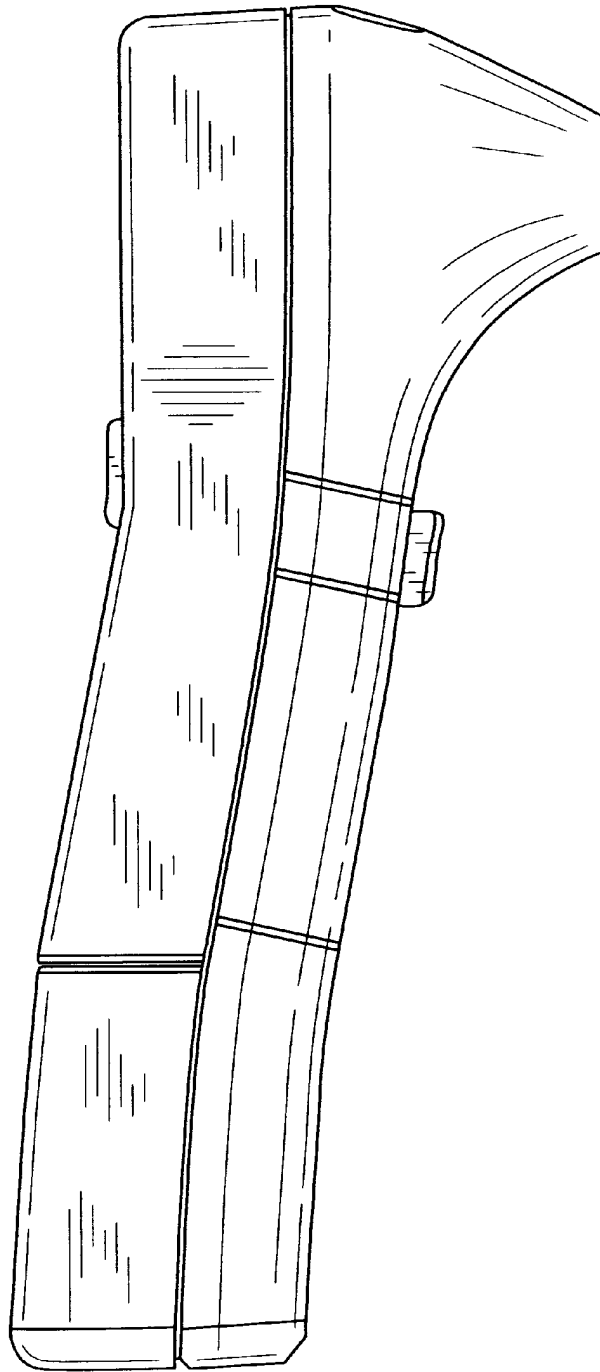


FIG.3

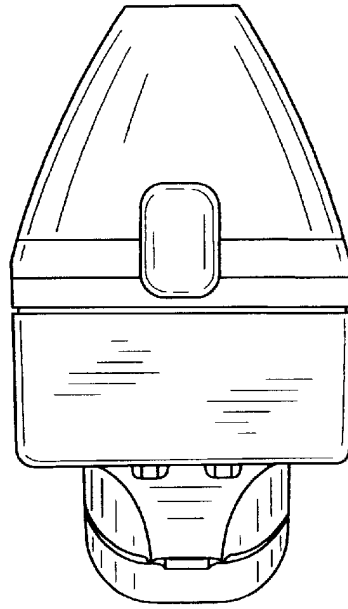


FIG.4

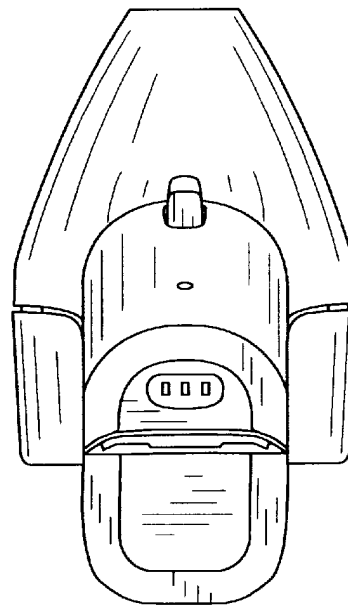


FIG.5

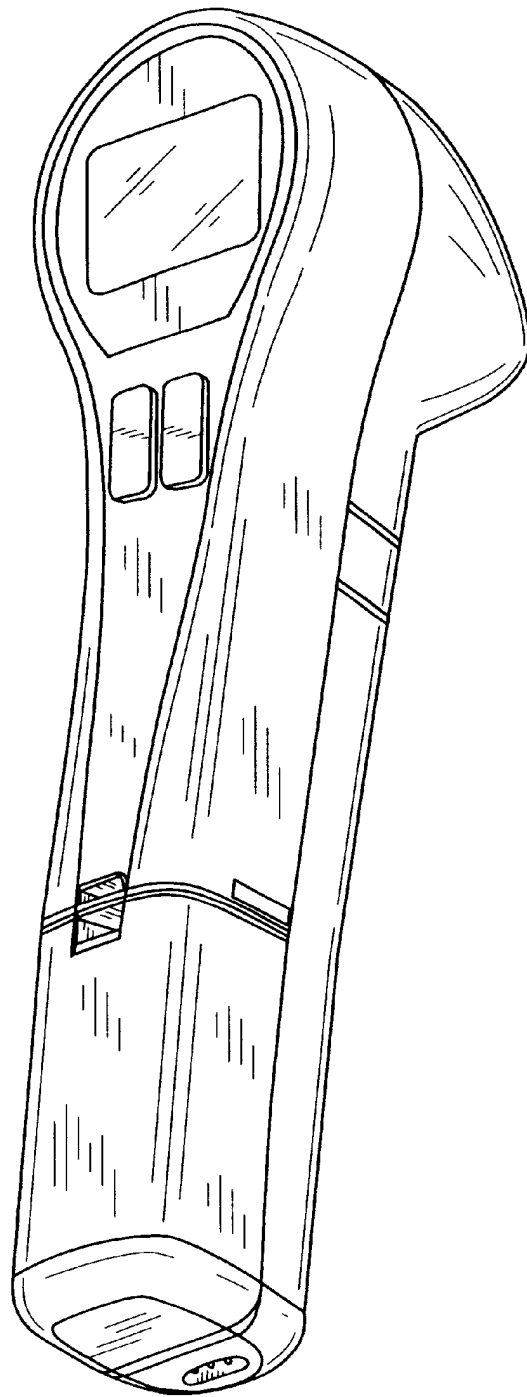


FIG. 6

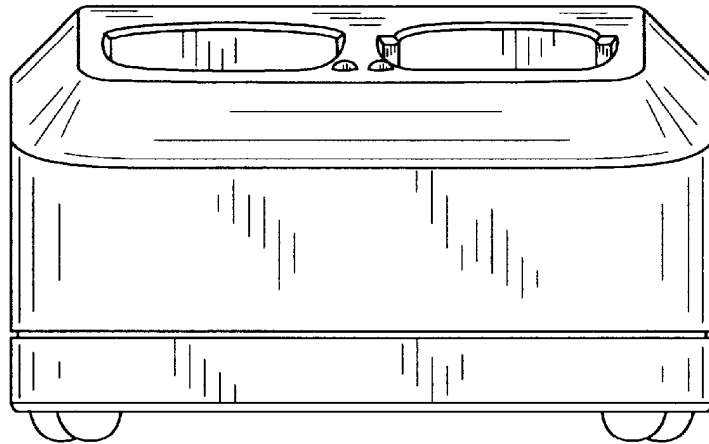


FIG. 7

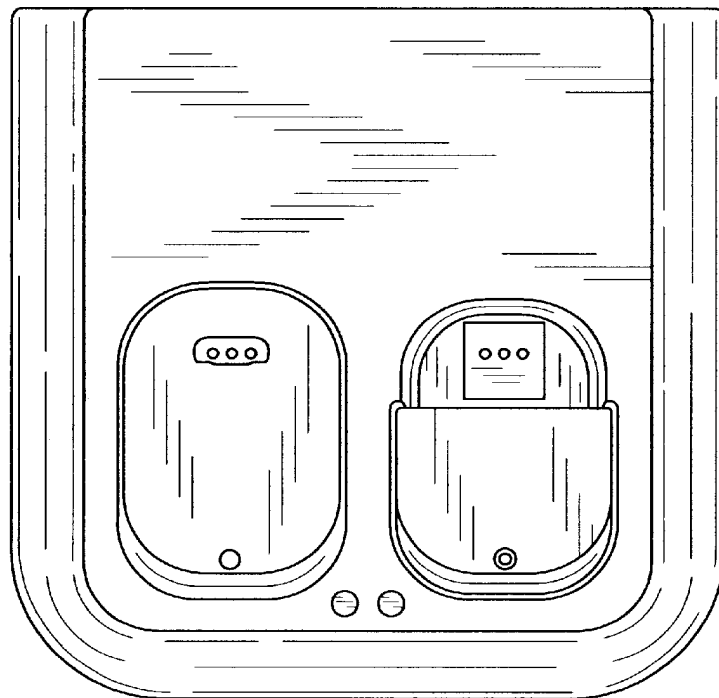


FIG. 8

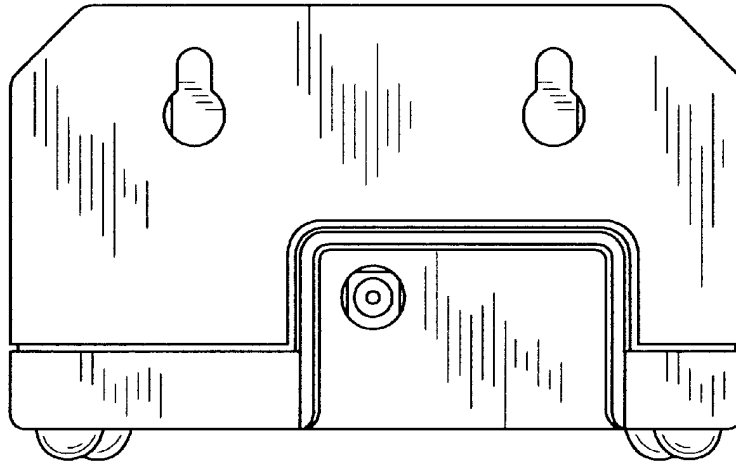


FIG. 9

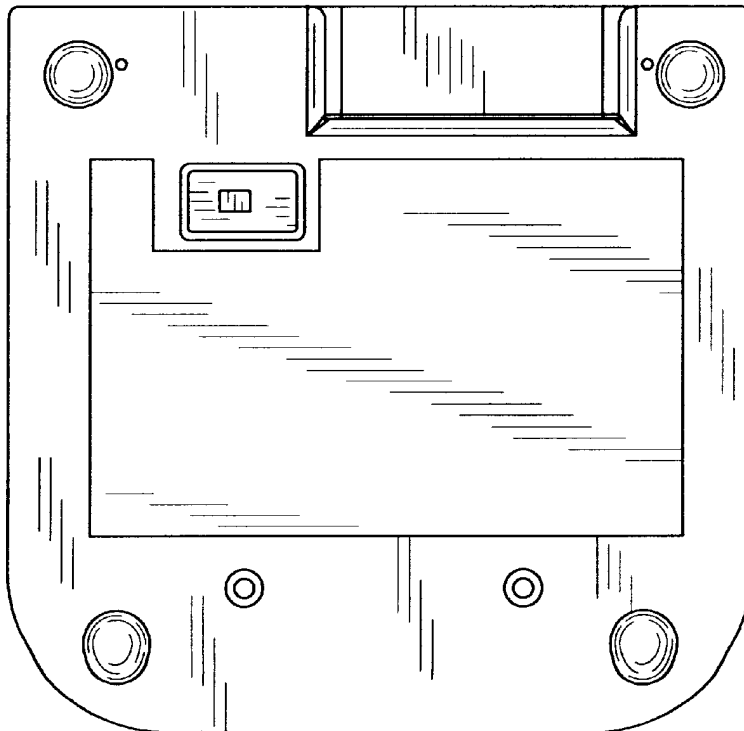


FIG. 10

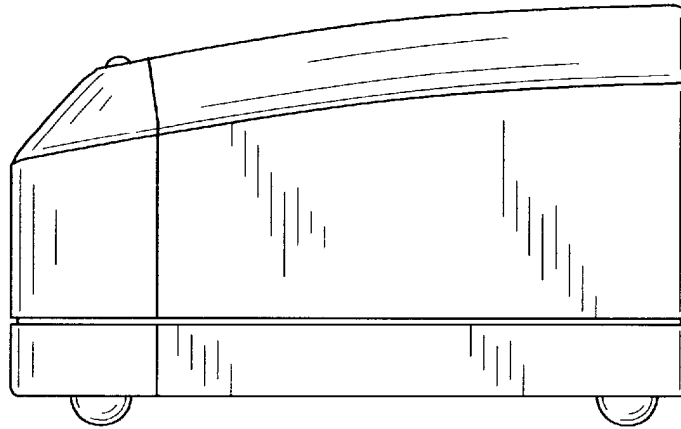


FIG.11

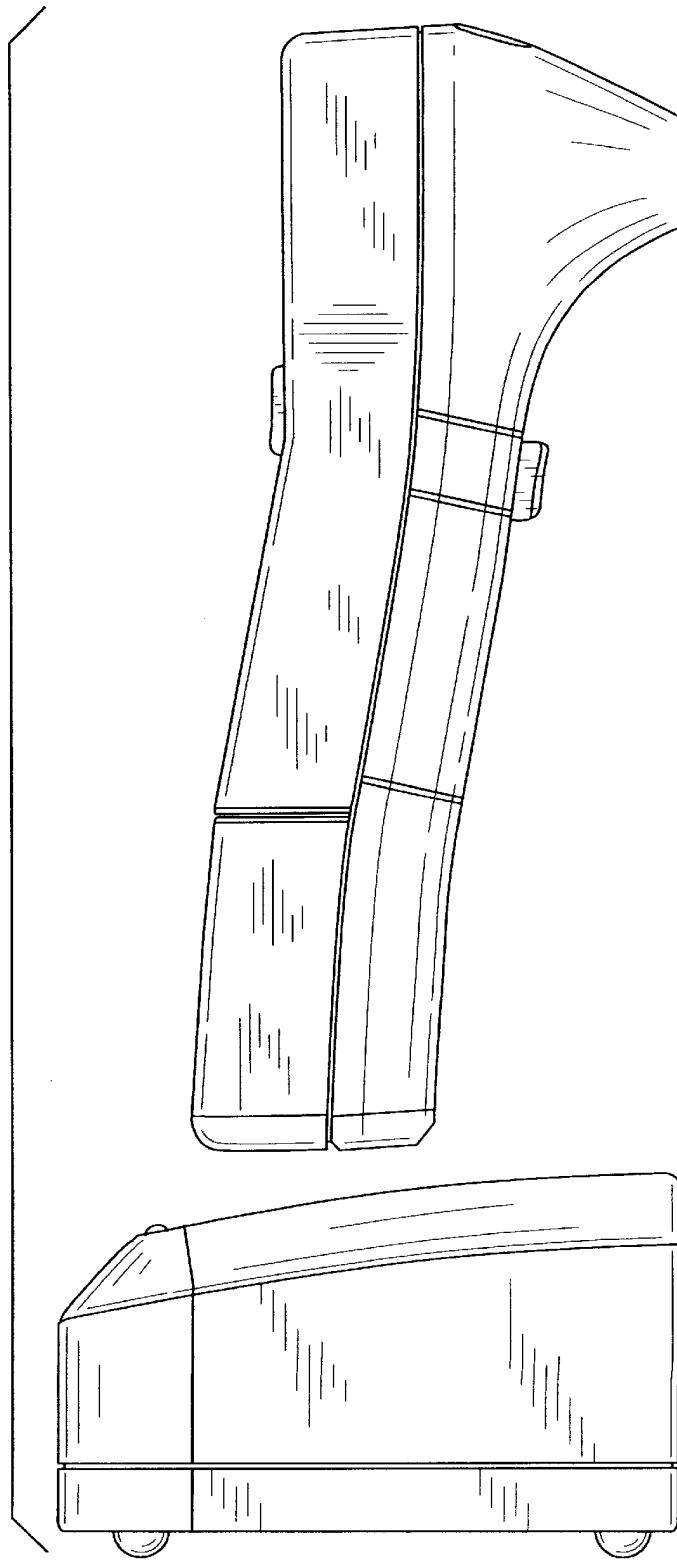


FIG.12