



(12) **United States Design Patent**
Mongin et al.

(10) **Patent No.: US D746,475 S**
(45) **Date of Patent: ** Dec. 29, 2015**

(54) **MOBILE CART**

(56) **References Cited**

- (71) Applicant: **Guided Therapeutics, Inc.**, Norcross, GA (US)
- (72) Inventors: **David Mongin**, Atlanta, GA (US); **David Farquhar**, Commerce, GA (US); **William W. Wells**, Lawrenceville, GA (US); **Rick Fowler**, Dacula, GA (US); **Jeff Allen**, Duluth, GA (US); **Devin Lee Moore**, Decatur, GA (US); **Brian Andrew Wong-Shui**, Atlanta, GA (US); **Jesse Marie Newton**, Dunwoody, GA (US)
- (73) Assignee: **Guided Therapeutics, Inc.**, Norcross, GA (US)
- (**) Term: **14 Years**
- (21) Appl. No.: **29/499,790**
- (22) Filed: **Aug. 19, 2014**

U.S. PATENT DOCUMENTS

D188,518	S	*	8/1960	Cleek	D10/114.9
D316,376	S	*	4/1991	Dubut	D10/60
D406,893	S		3/1999	Menhennett et al.		
D407,498	S	*	3/1999	Cooper	D24/215
D444,091	S	*	6/2001	Furmidge	D10/99
D453,376	S	*	2/2002	McMahon et al.	D24/108
D460,370	S	*	7/2002	Price et al.	D10/78
D493,113	S	*	7/2004	Shambaugh et al.	D10/78
D512,508	S		12/2005	Mesaros		
7,044,568	B2		5/2006	Olivera et al.		
D522,893	S	*	6/2006	Finney et al.	D10/81
D543,621	S	*	5/2007	Khalaj	D24/112
D601,709	S	*	10/2009	Roberts	D24/215
D612,561	S		3/2010	Hunter et al.		
D627,079	S	*	11/2010	Robertson	D24/214
D648,855	S		11/2011	Smith et al.		
D650,482	S		12/2011	Kim et al.		
D658,766	S		5/2012	Otoha et al.		
D662,208	S		6/2012	Otoha et al.		
D668,567	S	*	10/2012	Dunkin et al.	D10/78
D678,512	S	*	3/2013	Bow	D24/112
D680,650	S		4/2013	Muraoka et al.		
2009/0015116	A1		1/2009	Arceta et al.		

* cited by examiner

Primary Examiner — Holly Baynham

Assistant Examiner — Rhea Shields

(74) *Attorney, Agent, or Firm* — Altera Law Group, LLC

(57)

CLAIM

The ornamental design for a mobile cart, as shown and described.

DESCRIPTION

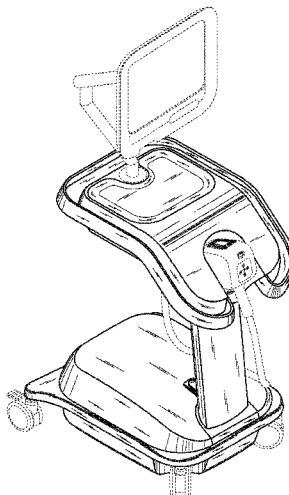
FIG. 1 is a top perspective view of a mobile cart.
 FIG. 2 is a front elevation view thereof.
 FIG. 3 is a rear elevation view thereof.
 FIG. 4 is a side elevation view thereof.
 FIG. 5 is the other side elevation view thereof.
 FIG. 6 is a top plan view thereof; and,
 FIG. 7 is a bottom plan view thereof.
 In the drawings, the broken lines depict unclaimed subject matter only and form no part of the claimed design.

Related U.S. Application Data

- (62) Division of application No. 29/430,814, filed on Aug. 30, 2012, now Pat. No. Des. 714,453.
- (51) **LOC (10) Cl.** **24-00**
- (52) **U.S. Cl.**
USPC **D24/185**
- (58) **Field of Classification Search**
USPC D24/112, 127, 133, 184, 185, 186, 144, D24/160, 167-169, 172, 200, 214, 215, 231, D24/158, 164; D34/12, 14; 312/22, 109, 312/209, 223.1, 286, 249.8, 249.12; 248/282.1; 600/437, 443, 459; D10/46, D10/46.1, 64, 78, 80, 85, 94, 103, 114.9, D10/121

See application file for complete search history.

1 Claim, 7 Drawing Sheets



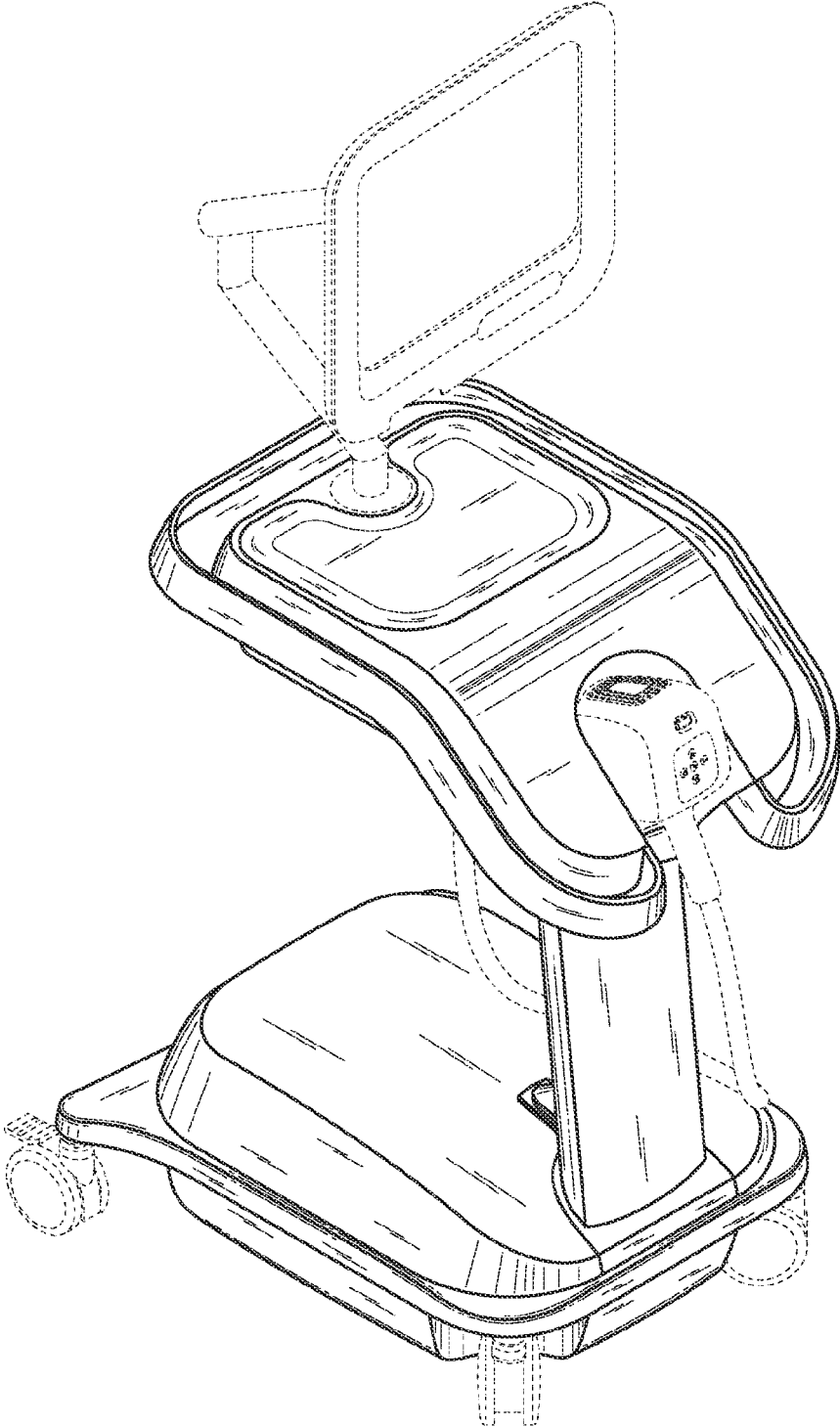


Fig. 1

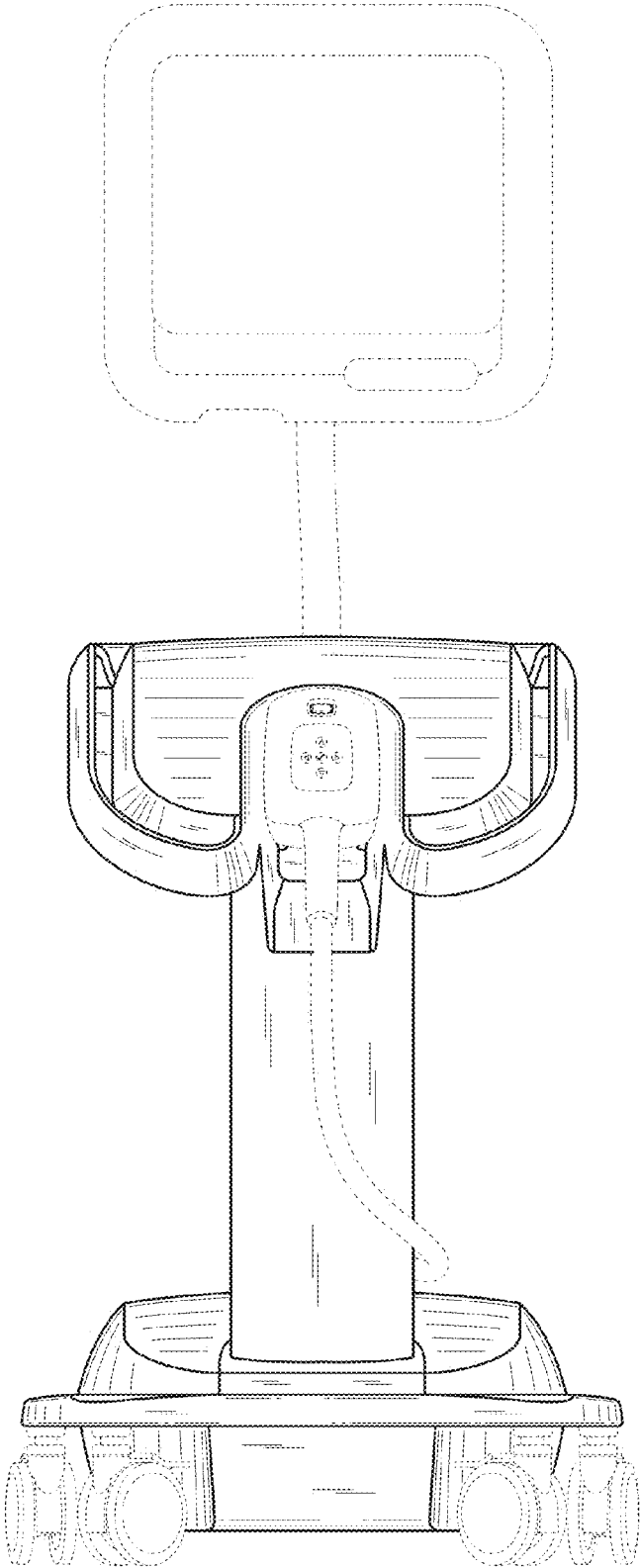


Fig. 2

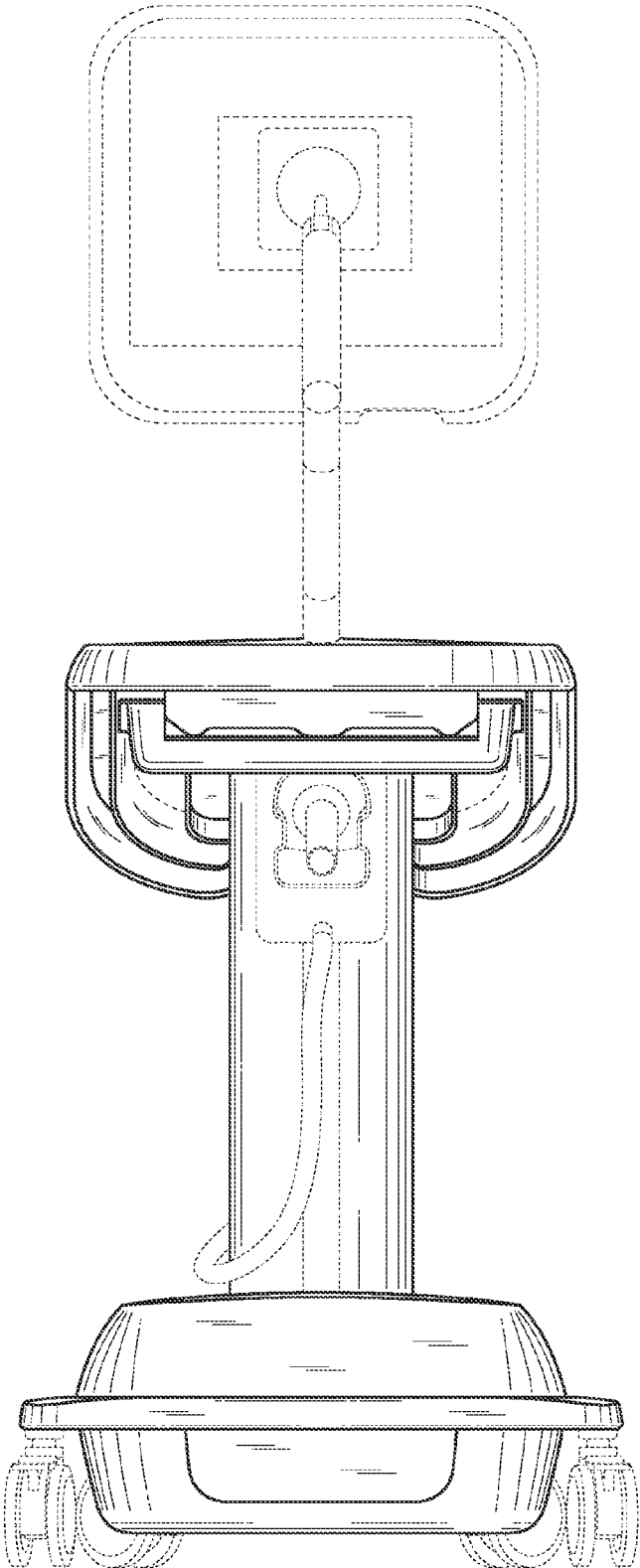


Fig. 3

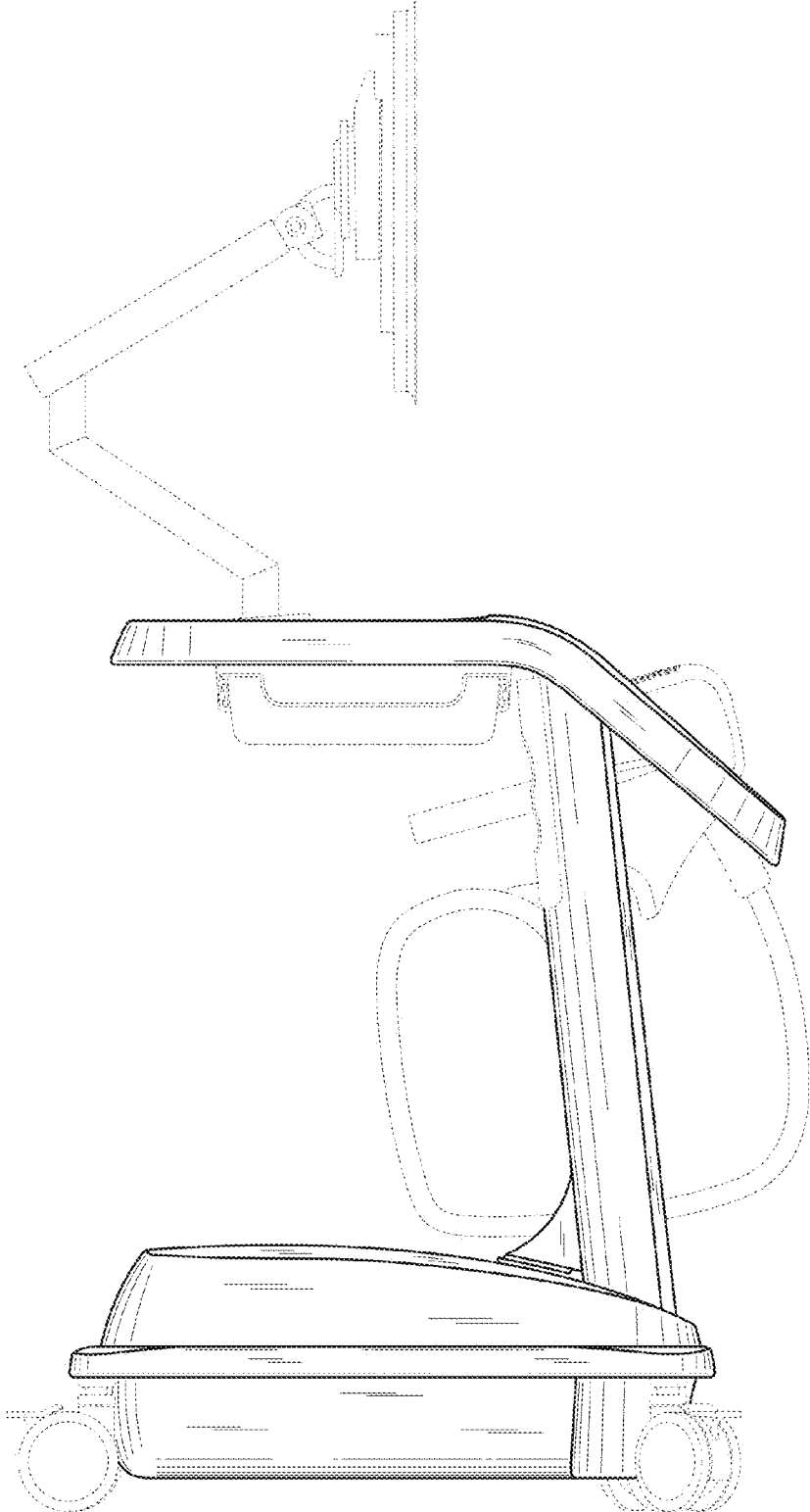


Fig. 4

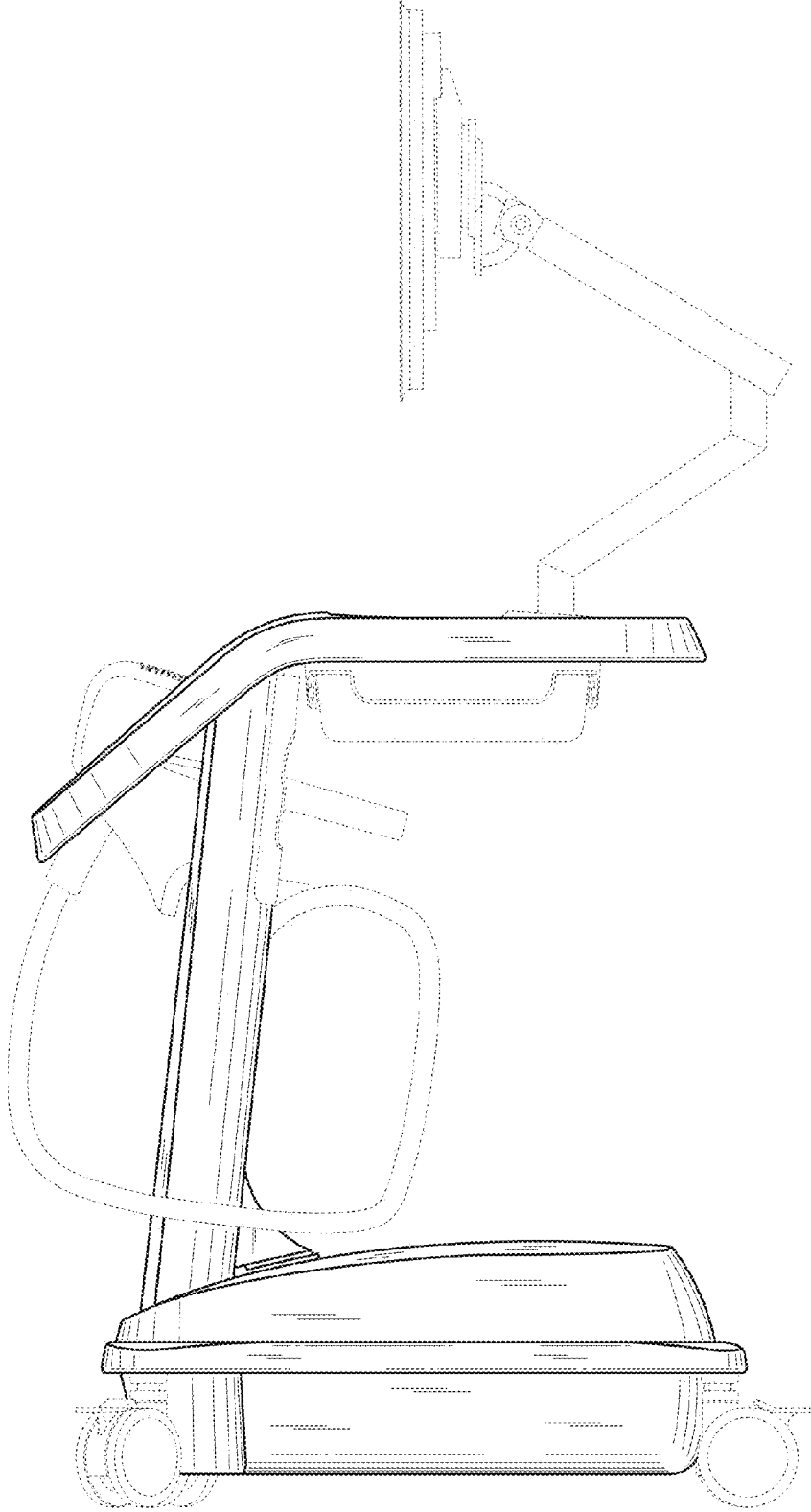


Fig. 5

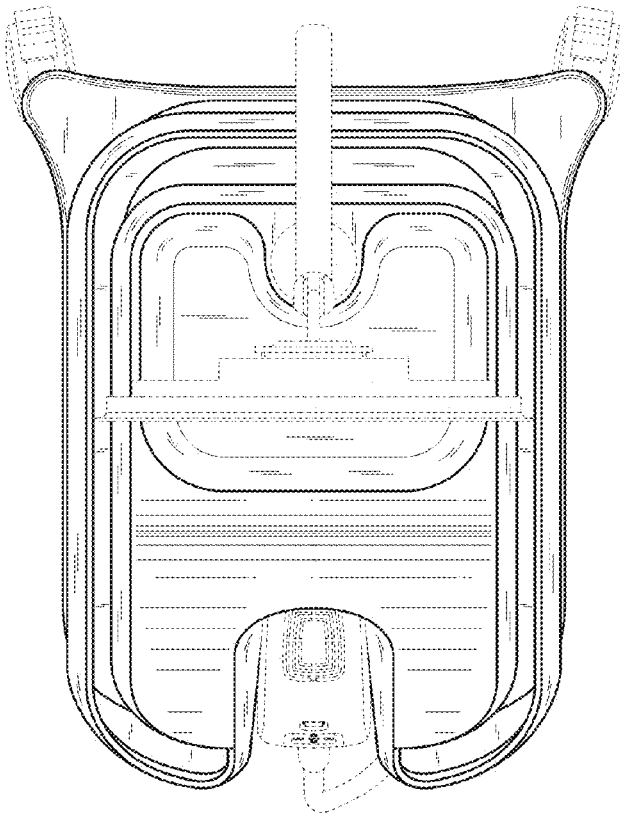


Fig. 6

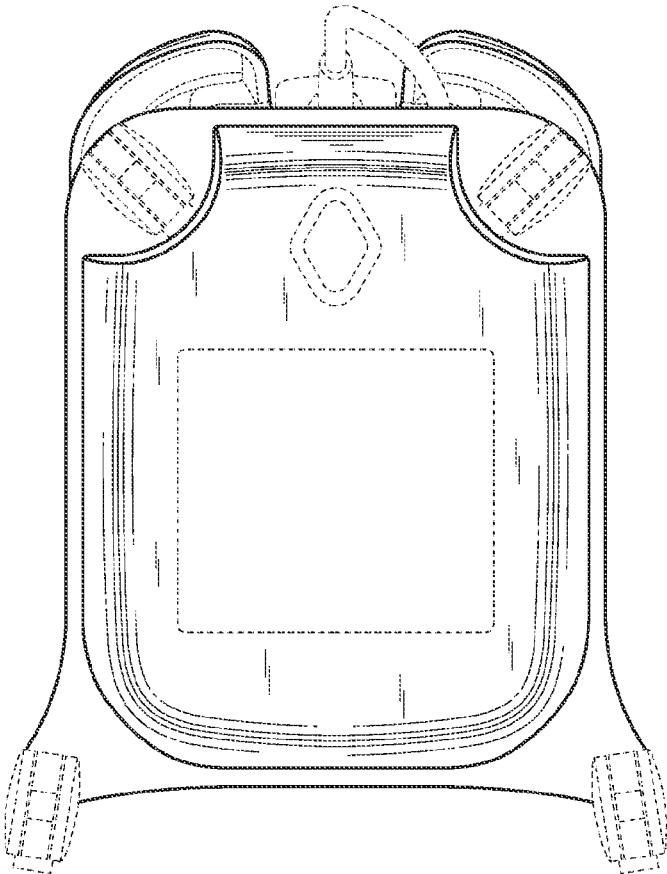


Fig. 7