

(12) **United States Design Patent**
Mongin et al.

(10) **Patent No.:** **US D714,453 S**
(45) **Date of Patent:** **** Sep. 30, 2014**

(54) **HAND HELD UNIT FOR DIAGNOSTICS OR MEASUREMENT**

(75) Inventors: **Jonathan David Mongin**, Atlanta, GA (US); **David Farquhar**, Commerce, GA (US); **William W. Wells, Jr.**, Lawrenceville, GA (US); **Richard L. Fowler**, Dacula, GA (US); **Jeffrey Allen**, Duluth, GA (US); **Devin Lee Moore**, Decatur, GA (US); **Brian Andrew Wong-Shui**, Atlanta, GA (US); **Jesse Marie Newton**, Dunwoody, GA (US)

(73) Assignee: **Guided Therapeutics, Inc.**, Norcross, GA (US)

(**) Term: **14 Years**

(21) Appl. No.: **29/430,814**

(22) Filed: **Aug. 30, 2012**

(51) **LOC (10) Cl.** **24-00**

(52) **U.S. Cl.**
USPC **D24/185**

(58) **Field of Classification Search**
USPC D24/185, 186, 144, 160, 167-169, 172, D24/200, 158, 164, 112, 127, 133, 184, 214, D24/215, 231; D34/12, 14; 312/22, 109, 312/209, 223.1, 286, 249.8, 249.12; 248/282.1; 600/437, 443, 459; D10/46, D10/46.1, 64, 78, 80, 85, 94, 103, 114.9, D10/121

See application file for complete search history.

(56) **References Cited**

U.S. PATENT DOCUMENTS

D188,518 S * 8/1960 Cleek D10/114.9
D316,376 S * 4/1991 Dubut D10/60
D406,893 S * 3/1999 Menhennett et al. D24/169

D407,498 S * 3/1999 Cooper D24/215
D444,091 S * 6/2001 Furnidge D10/99
D453,376 S * 2/2002 McMahon et al. D24/108
D460,370 S * 7/2002 Price et al. D10/78
D493,113 S * 7/2004 Shambaugh et al. D10/78
D512,508 S * 12/2005 Mesaros D24/185
7,044,568 B2 * 5/2006 Olivera et al. 312/209
D522,893 S * 6/2006 Finney et al. D10/81
D543,621 S * 5/2007 Khalaj D24/112
D601,709 S * 10/2009 Roberts D24/215
D612,561 S * 3/2010 Hunter et al. D34/14
D627,079 S * 11/2010 Robertson D24/214
D648,855 S * 11/2011 Smith et al. D24/158
D650,482 S * 12/2011 Kim et al. D24/158
D658,766 S * 5/2012 Otoha et al. D24/185
D662,208 S * 6/2012 Otoha et al. D24/185
D668,567 S * 10/2012 Dunkin et al. D10/78
D678,512 S * 3/2013 Bow D24/112
D680,650 S * 4/2013 Muraoka et al. D24/158
2009/0015116 A1 * 1/2009 Arceta et al. 312/209

* cited by examiner

Primary Examiner — Ian Simmons

Assistant Examiner — Rhea Shields

(74) *Attorney, Agent, or Firm* — Altera Law Group, LLC

(57) **CLAIM**

The ornamental design for a hand held unit for diagnostics or measurement, as shown and described.

DESCRIPTION

FIG. 1 is a top perspective view of a hand held unit for diagnostics or measurement.

FIG. 2 is a side view thereof.

FIG. 3 is the other side view thereof.

FIG. 4 is the rear view thereof.

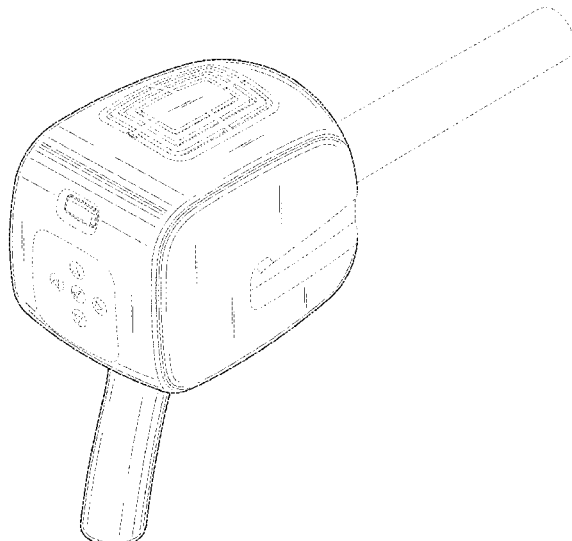
FIG. 5 is the front view thereof.

FIG. 6 is a top plan view thereof; and,

FIG. 7 is a bottom plan view thereof.

In the drawings, the broken lines depict unclaimed subject matter only and form no part of the claimed design.

1 Claim, 6 Drawing Sheets



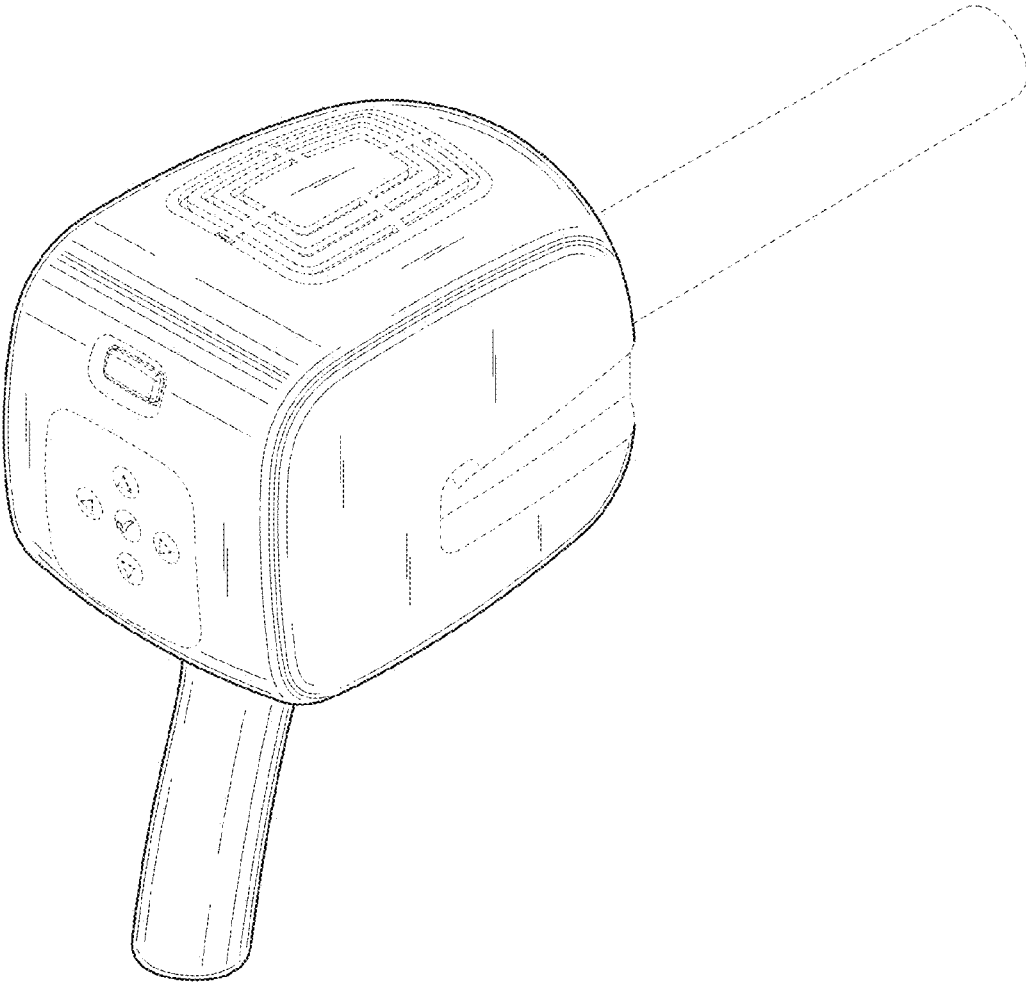


Fig. 1

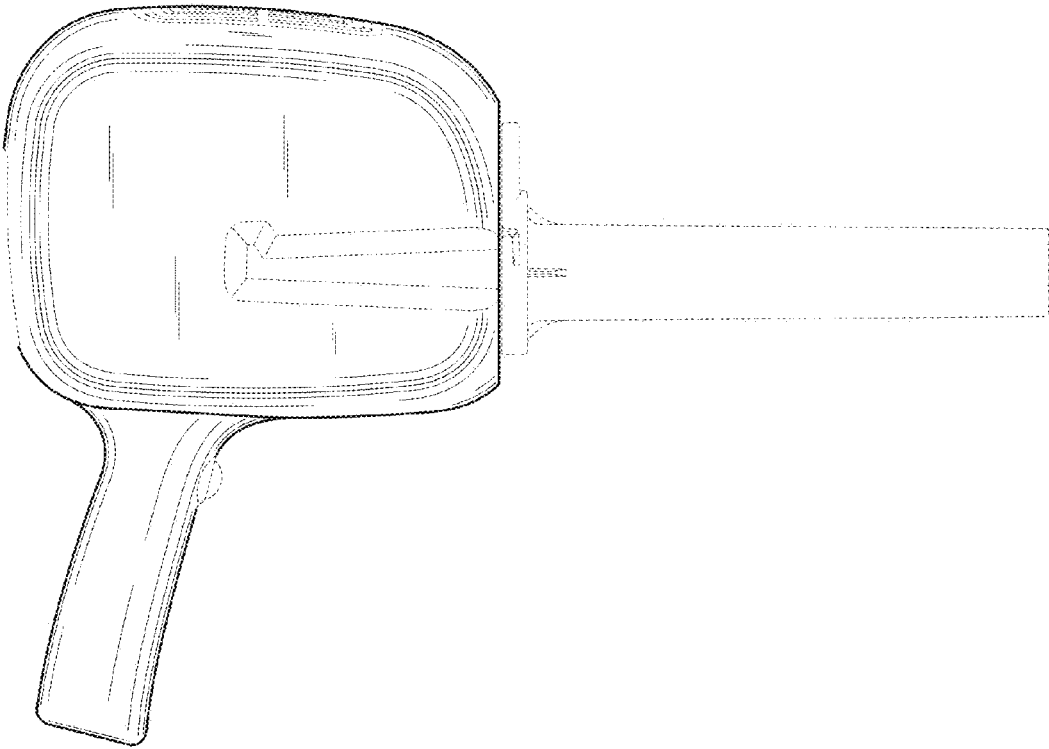


Fig. 2

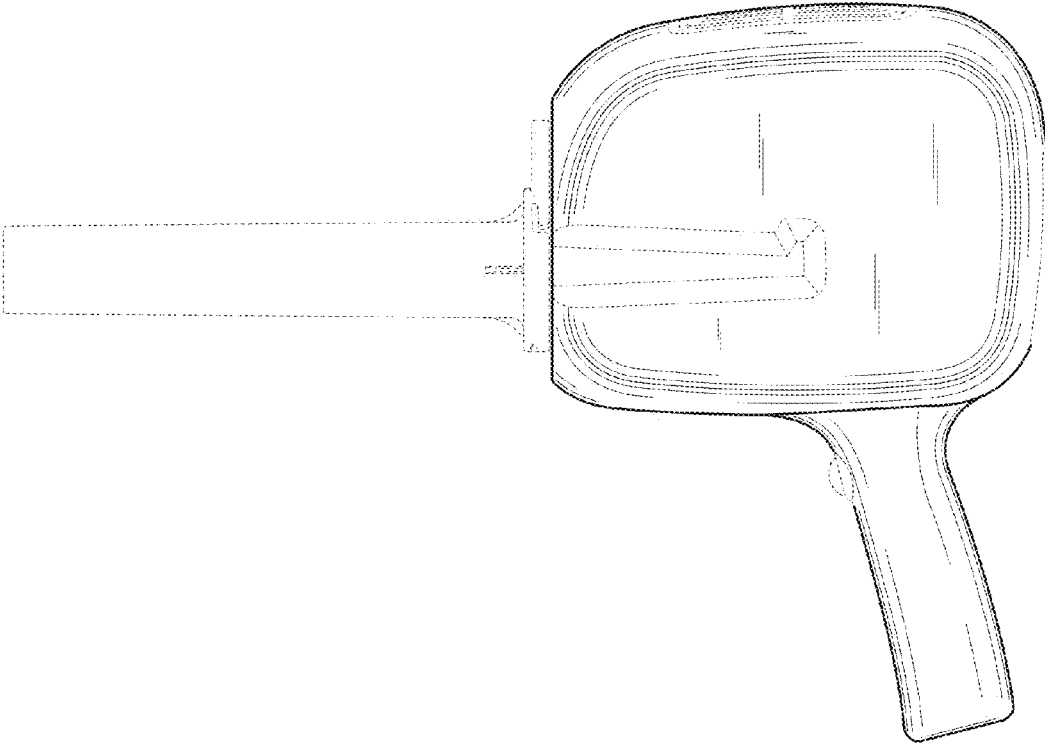


Fig. 3

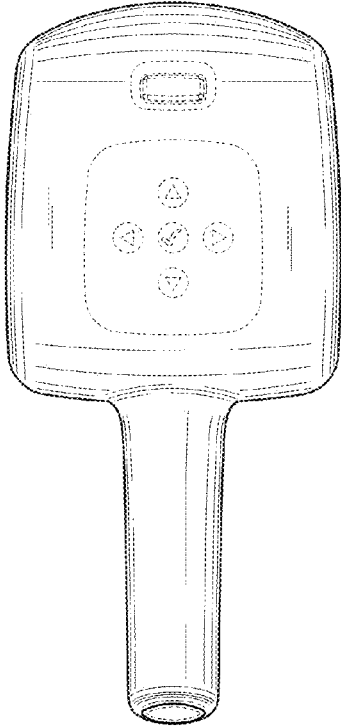


Fig. 4

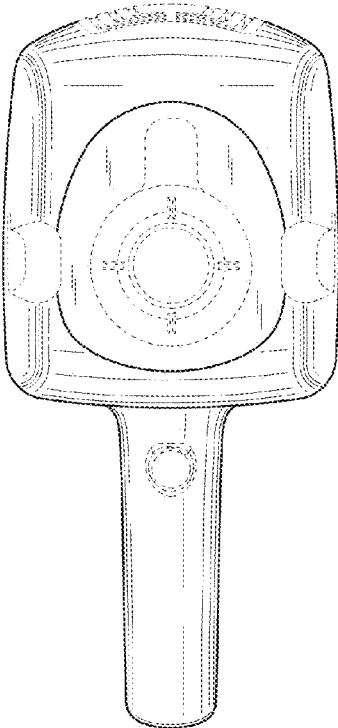


Fig. 5

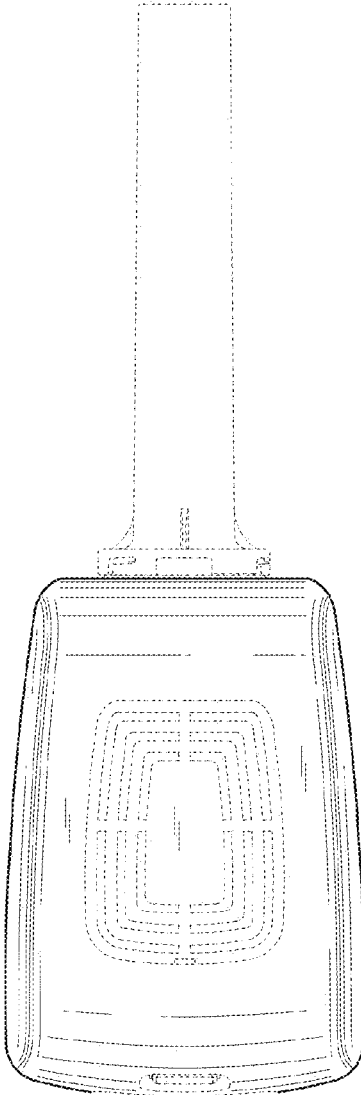


Fig. 6

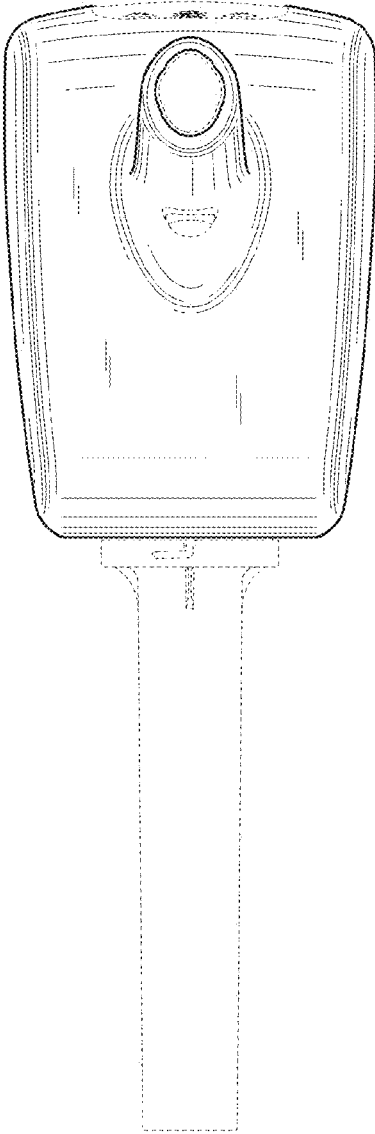


Fig. 7